



V7-1C17E9-207



Actual product appearance may vary.

V7 Series Miniature Basic Switch, Single Pole Double Throw Circuitry, 15 A at 277 Vac, Roller Lever Actuator, 0,84 N [3.0 oz] Maximum Operating Force, Silver Contacts, Quick Connect Termination

V7 Series Features

- World-wide package size acceptance
- Current rating ranges from 0.1 A to 25 A
- Wiping contact action
- Temperature range to 177 °C [350 ° F]
- Long mechanical life
- Elongated mounting holes for easier, more accurate mounting
- UL/CSA recognized, ENEC (European) approval available
- Choice of actuation, termination and operating characteristics

Potential Applications

- Appliances
- Vending machines
- Timing devices
- Office equipment
- Computer/business equipment
- Test instruments
- Medical/dental equipment
- Communications equipment
- HVAC equipment
- Manually operated devices
- Valves
- Gaming equipment
- Pressure switches

Description

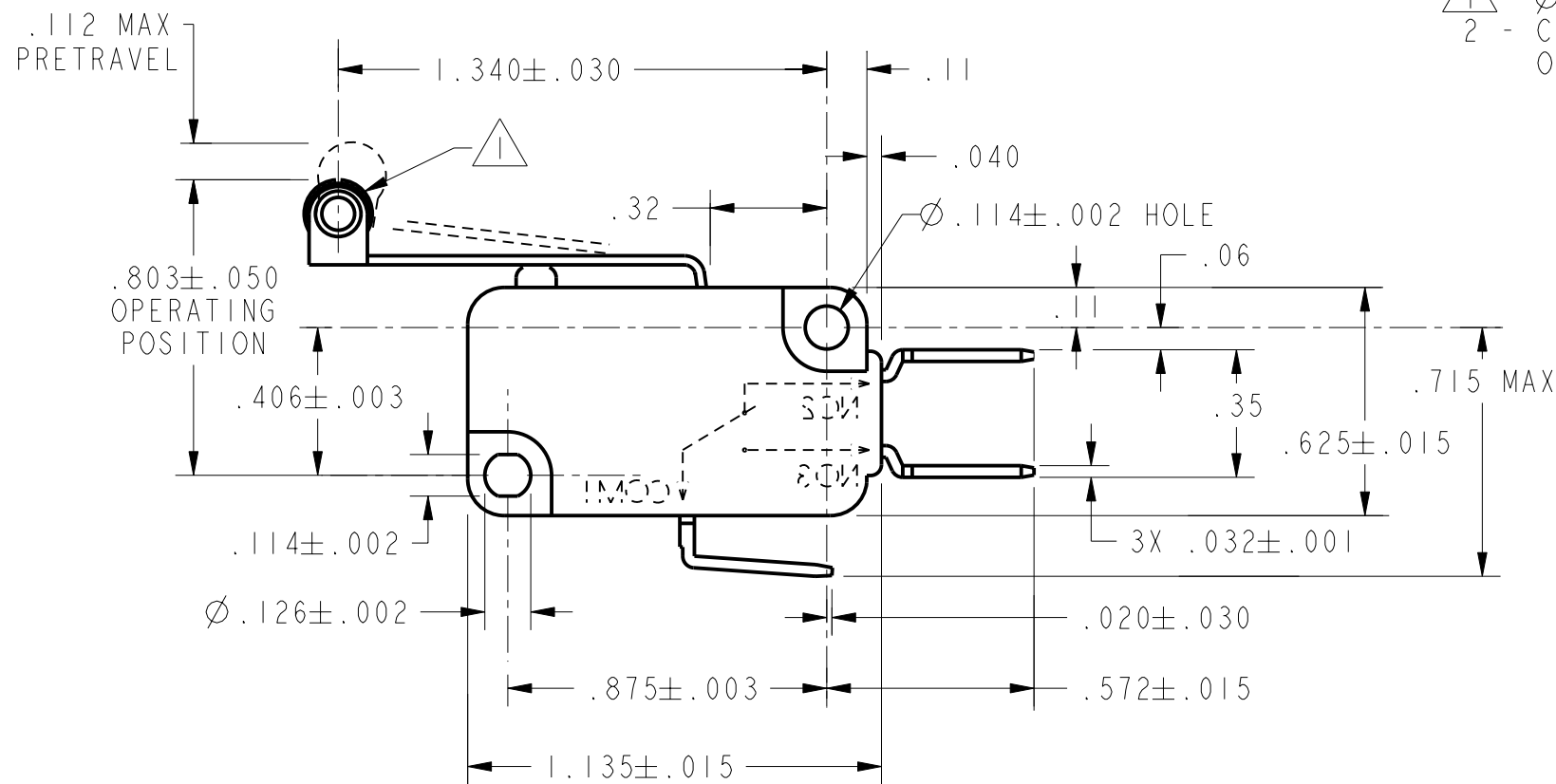
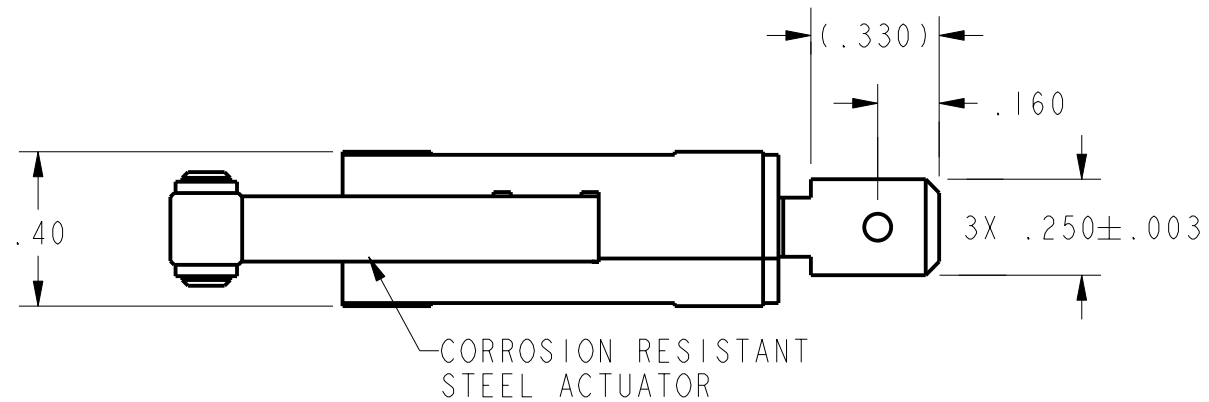
MICRO SWITCH™ V5 and V7 Series basic switches are used for simple or precision on/off, end of limit, presence/absence, pressure, temperature and manual operator interface application needs.

Product Specifications	
Switch Type	MICRO SWITCH™ Miniature 15,9 mm H x 10,2 mm W x 28,8 mm L [0.63 in H x 0.4 in W x 1.14 in L]
Sealed	No
Ampere Rating	15 A
Circuitry	Single Pole Double Throw (SPDT)
Actuator	Roller Lever
Termination	Quick Connect
Operating Temperature Range	-40 °C to 82 °C [-40 °F to 180 °F]
Voltage	277 Vac
Approvals	CSA, UL
Actuator Length	34,0 mm [1.34 in]
Contact Type	Silver

Operating Force (O.F.)	0,84 N [3.0 oz] max.
Release Force (R.F.)	0,09 N [0.3 oz] min.
Pretravel (P.T.)	2,84 mm [0.112 in] max.
Overtravel (O.T.)	1,63 mm [0.064 in] min.
Differential Travel (D.T.)	0,64 mm [0.025] max.
Operating Position (O.P.)	20,4 ± 1,270 mm [0.810 ± 0.050 in]
Housing Material	PCT PolyesterThermoplastic
High Temperature	85 °C [185 °F]
CE mark	61058-1
UL File #	E12252
CSA File #	LR41370
Agency Approvals and Standards	1054
Mounting Centers	22,2 mm [0.88 in]
Maximum Tightening Torque	0,56 N m [5.0 in lb]
Weight	8 g [0.3 oz]
Package Height	16 mm [0.63 in]
Package Width	10,2 mm [0.40 in]
Package Length	27,7 mm [1.09 in]
Availability	Global
UNSPSC Code	30211905
UNSPSC Commodity	30211905 Snap switches
Series Name	V7

CW-B1672

REV	DOCUMENT	CHANGED BY	CHECK
3	207382	TSM 7FEB03	SAV



NOTES

- 1 - \varnothing .19 X .19 WIDE OIL BRONZE ROLLER (CONCENTRICITY .005 FIM)
- 2 - CAUTION: OVERTRAVEL FORCE ON LEVER MUST NOT RESULT IN AN OVERTRAVEL FORCE ON PLUNGER EXCEEDING 5 POUNDS

CHARACTERISTICS	
OPERATING FORCE-----	86 GRAMS MAX
RELEASE FORCE -----	9 GRAMS MIN
DIFFERENTIAL TRAVEL -----	.025 MAX
OVERTRAVEL -----	.064 MIN
RELEASE TRAVEL -----	.016 MIN

ELECTRICAL DATA	
CONTACT ARRANGEMENT S P D T	
L215	
15.1A 1/2HP 125, 250 OR 277 VAC	
1/2A 125 VDC	
1/4A 250 VDC; 5A 120 VAC "L"	

UNLESS OTHERWISE SPECIFIED TOLERANCES ARE:			
	<input checked="" type="checkbox"/> US (inch) CUSTOMARY	<input type="checkbox"/> SI (mm) METRIC	
NO PLACE	X	±.040	±1
ONE PLACE	.X	±.030	±0,4
TWO PLACE	.XX	±.015	±0,15
THREE PLACE	.XXX	±.005	±
ANGLES		±	±
RAW MATERIAL-COMMERCIAL STANDARD			
THIRD ANGLE PROJECTION			

DRAWN	TSM	7FEB03
CHECK	SAV	7FEB03
THIS DRAWING COVERS A PROPRIETARY ITEM AND IS THE PROPERTY OF HONEYWELL. THIS DRAWING IS NOT TO BE COPIED OR USED WITHOUT THE PERMISSION OF HONEYWELL.		
PTC 2D	ASME Y14.5M-1994	

Honeywell			
TITLE SWITCH, BASIC			
SIZE	DWG TYPE	DRAWING NAME	REV
B	I	V7-1C17E9-207	3
SCALE 2 : 1		WEIGHT	SHEET 1 OF 1